



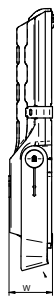
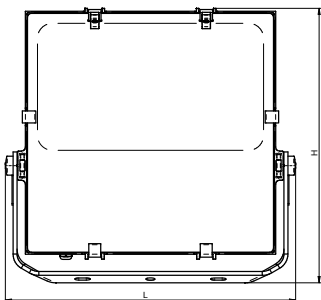
Tango LED

Tango LED is a general purpose LED floodlighting luminaire for various lighting applications, such as area lighting, billboard, façade, industry area, and other general applications. The Tango LED floodlight incorporates an LED light source, optical system, heat sink and driver into one compact housing. Its specially designed heat sink incorporates aesthetics and functionality whilst ensuring reliability and long lifetime. Tango LED takes advantage of all of these features and provides energy savings and a longer lifetime, bringing area lighting into a new era.



Features and Benefits

- Energy saving: system efficacy reaches 90lm/w, which gives more than 40% of energy saving when compared to conventional floodlight
- Free from lamp replacement: Lifetime reaches 50,000 hours at L70, which requires no lamp replacement after installation
- Low maintenance cost: IP65 housing ensures low maintenance with no need for internal cleaning, resulting in a lower total cost of ownership
- Good reliability: Painted non-corrosive die-cast aluminium housing and steel bracket gives extra strength when the luminaire is installed in a rough environment
- Easy installation and maintenance: Universal “U” shape mounting bracket.



Model	L (mm)	W (mm)	H (mm)
BVP361	433	74	572
BVP363	587	74	572

Dimensions in mm (Nominal)



Tango LED continued

TANGO LED			
Family Name	Tango LED	Optics	WB, MB, NB (BVP363 only)
Model	BVP361, BVP363	Driver	Integrated driver
Lumens	BVP361 (5,300/10,400/15,500 lumen), BVP363 (17,500/21,000/24,500/28,000 lumens)	Surge Protection	10kV
Wattage	BVP361 (55W, 105W, 155W), BVP363 (175W, 210W, 245W, 280W)	Installation	Universal Bracket
Lamp Colour	3000K, 4000K, 5700K	Weight	BVP361 (10.5kg), BVP363 (16kg)
Colour Rendering Index (CRI)	75	Colour of housing	Grey Aluminium
Flex and Plug	No	Application	Area lighting, billboard, façade, industry area, and other general applications.
*Lifetime (L70)	50,000 hrs	Accessories	N/A
Classifications	IP65, IK07, Class I		

* = When the fitting reaches 70% of full potential (new)

COMMERCIAL CODE	I2NC	DESCRIPTION
BVP361554KAWB	911401655402	BVP361 LED53/NW 55W 220-240V AWB V
BVP361554KSWB	911401655502	BVP361 LED53/NW 55W 220-240V SWB V
BVP3611054KAWB	911401655602	BVP361 LED104/NW 105W 220-240V AWB V
BVP3611054KSWB	911401655702	BVP361 LED104/NW 105W 220-240V SWB V
BVP3611554KAWB	911401655802	BVP361 LED155/NW 155W 220-240V AWB V
BVP3611554KSWB	911401655902	BVP361 LED155/NW 155W 220-240V SWB V
BVP3632804KAWB	911401652402	BVP363 LED280/NW 280W 220-240V AWB V
BVP3632804KSWB	911401652502	BVP363 LED280/NW 280W 220-240V SWB V
BVP3632804KNB	911401652602	BVP363 LED280/NW 280W 220-240V NB V
BVP3632454KAWB	911401652702	BVP363 LED245/NW 245W 220-240V AWB V
BVP3632454KSWB	911401652802	BVP363 LED245/NW 245W 220-240V SWB V
BVP3632454KNB	911401652902	BVP363 LED245/NW 245W 220-240V NB V
BVP3632104KAWB	911401653002	BVP363 LED210/NW 210W 220-240V AWB V
BVP3632104KSWB	911401653102	BVP363 LED210/NW 210W 220-240V SWB V
BVP3632104KNB	911401653202	BVP363 LED210/NW 210W 220-240V NB V
BVP3631754KAWB	911401653302	BVP363 LED175/NW 175W 220-240V AWB V
BVP3631754KSWB	911401653402	BVP363 LED175/NW 175W 220-240V SWB V
BVP3631754KNB	911401653502	BVP363 LED175/NW 175W 220-240V NB V