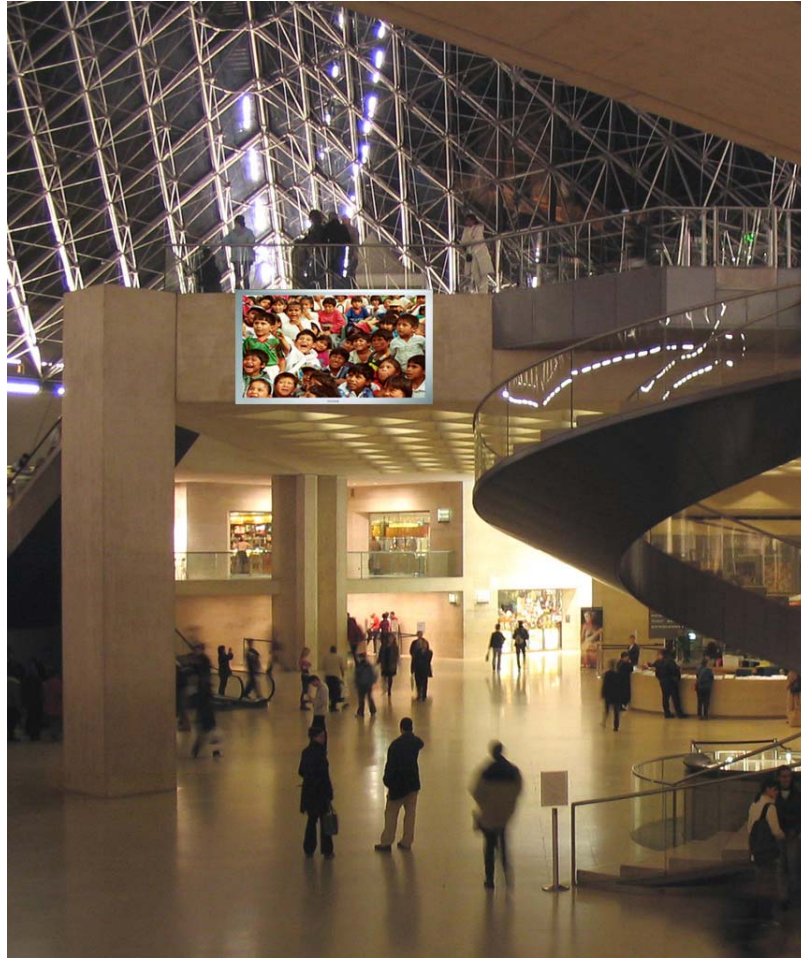


120" LED-based Flat TV

Size matters

Art by any other name



The latest in professional display solutions

- 16:9 120" LED-based Flat TV
- Ultra high brightness
- Dynamic Power Control, HD Ready
- Ideal for viewing from 5-50 metres
- Remote setup and control
- Portrait or landscape

candeo

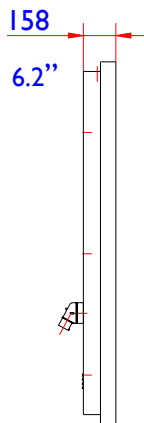
PHILIPS

Candeo 4-120i Candeo 6-120i Candeo 10-120i

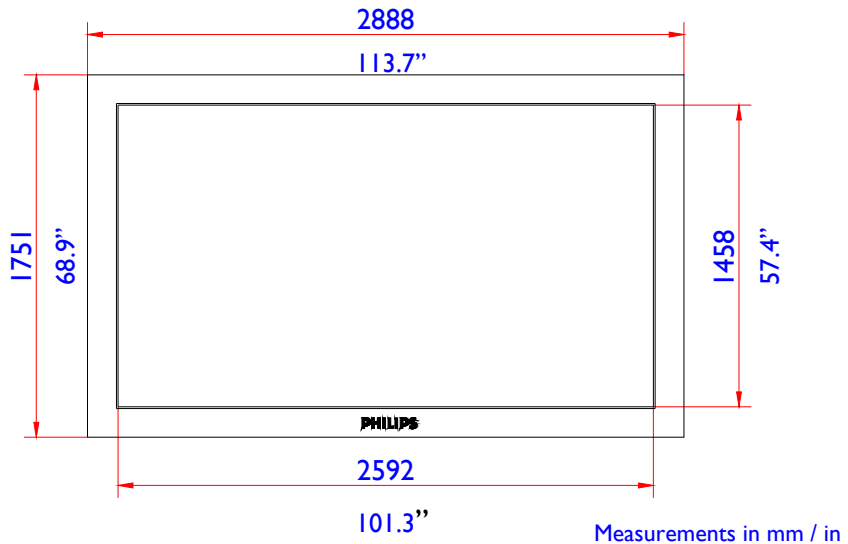
Panel size (diagonal):	120"	120"	120"
Aspect ratio:	16:9	16:9	16:9
Brightness (Cd/m²):	2000	2000	2000
Pixel pitch:	4.5 mm	6.75 mm	10.125 mm
Display resolution:	576 x 324 pixels	384 x 216 pixels	256 x 144 pixels
Display area:	3.78 m ² (40.7 ft ²)	3.78 m ² (40.7 ft ²)	3.78 m ² (40.7 ft ²)
Contrast ratio:	2000:1	2000:1	2000:1
Display colours:	> 200 billion	> 200 billion	> 200 billion
Horizontal viewing angle:	150	150	150
Vertical viewing angle:	150	150	150
Operating temperature:	0 - 40°C (32-104°F)	0 - 40°C (32-104°F)	0 - 40°C (32-104°F)
Power consumption:	1.5 kW	1.5 kW	1.5 kW
Scanning frequency:	1000 Hz	1000 Hz	1000 Hz
Lifetime:	50 000 hours	50 000 hours	50 000 hours
Weight:	280 kg (617 lb)	275 kg (606 lb)	255 kg (562 lb)
Inputs:		CVBS / SDI / HDSDI / DVI	



TOP VIEW



SIDE VIEW



FRONT VIEW

Any individual specifications are subject to change without notice.